



CADET 

COM-PAK



- Efficient, quiet fan
- Warm up in a hurry with a fast-heating element
- Unique compact design is recess mounted into your wall to suit any room
- Heater assemblies and grilles are powder-coated to provide a durable finish, and complete heaters include a galvanized wall can
- Easy to install
- Rest easy – includes high temperature safety shutoff
- Available with or without built-in thermostat
- Conforms to UL Std. 2021 and Certified to CAN/CSA Std. C22.2 No. 46

The Com-Pak is an efficient, affordable way to add warmth without installing ductwork. Our hard wired heaters have proven safety features and multiple installation options, so your family can enjoy safe, sensible warmth for years.

ARCHITECTURAL - ENGINEERING INFORMATION

Fan forced up flow electric air heaters are cULus listed, factory rated at 120V, 208V, and dual field rated 208V/240V. A 20 gauge galvanized steel wall mounting can with seven knockouts and 34 cubic inch wiring compartment is provided with each complete heater. Each heater is powder coated, of unitized construction and attaches to the wall can with a single screw and is self-contained and completely separate from the wall mounting can. Element is of nichrome type wire wrapped on mica insulators with a 16 amp rated, at 240V, high temperature manual power reset limit switch, and a one-time over temperature thermal back-up fuse, both located on the element board in the heated air flow for faster response time to abnormal conditions. A two stage centrifugal blower delivering approximately 40 to 55 CFM is driven by an impedance protected motor. The motor is totally isolated from the heating chamber. Metal grille is of one piece, 20-gauge construction and finished with a powder coat paint system.

TECHNICAL INFORMATION

UL safety standards require the heater to be placed a minimum distance of 3/4 inches (1.9 cm) from adjacent surfaces and 4-1/2 inches (11.4 cm) from the floor. Manufacturer recommends installations 12 inches (30.5 cm) from all surfaces for longer and cleaner performance. All models 1500 watts or less may be ceiling mounted. A 3 foot (91.4 cm) minimum clearance is required for furniture or other objects placed directly in front of the heater.

Electric wall heaters and thermostats work best when installed on an inside wall.



COM-PAK

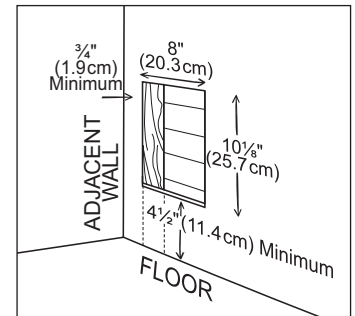
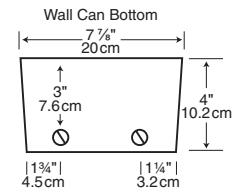
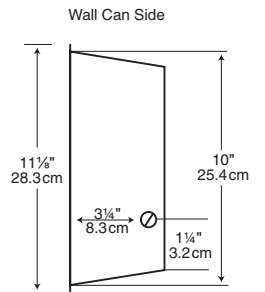
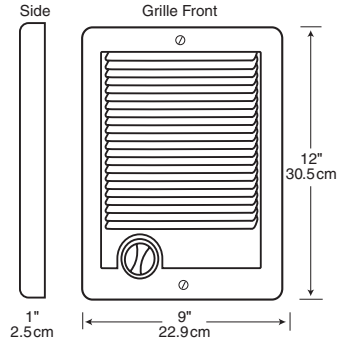
Grille: 9" W (22.9 cm) x 12"H (30.5 cm) x 1"D (2.5 cm)

Rough-in: 8"W (20.3 cm) x 10-1/8"H (25.7 cm) x 4"D (10.2 cm)

Thermostat temperature range 40°F to 85°F (4°C to 29°C)

Heater assemblies require a wall can and grille kit, and may require a thermostat

PART	MODEL*	DESCRIPTION	WATTS	VOLTS	AMPS	BTUS	LBS/KGS
67508	CSC101TW	Complete unit with stat, wall can & grille, white or almond	1000	120	8.3	3415	7/3.2
67580	CSC101TA						
67509	CSC151TW	"	1500	120	12.5	5120	7/3.2
67581	CSC151TA						
67505	CSC102TW	"	1000/750	240/208	4.2/3.6	3415/2560	7/3.2
67577	CSC102TA						
67506	CSC152TW	"	1500/1125	240/208	6.3/5.4	5120/3840	7/3.2
67578	CSC152TA						
67507	CSC202TW	"	2000/1500	240/208	8.3/7.2	6825/5120	7/3.2
67579	CSC202TA						
67549	CSC101W	Complete unit without stat, with wall can & grille, white or almond	1000	120	8.3	3415	7/3.2
67503	CSC101A						
67553	CSC151W	"	1500	120	12.5	5120	7/3.2
67504	CSC151A						
67540	CSC072W	"	750/563	240/208	3.1/2.7	2560/1925	7/3.2
67535	CSC072A						
67541	CSC102W	"	1000/750	240/208	4.2/3.6	3415/2560	7/3.2
67536	CSC102A						
67543	CSC152W	"	1500/1125	240/208	6.3/5.4	5120/3840	7/3.2
67553	CSC152A						
67544	CSC202W	"	2000/1500	240/208	8.3/7.2	6825/5120	7/3.2
67539	CSC202A						
67550/67560	CS051/CS051T	Heater assembly without/with thermostat 120 volt	500	120	4.2	1710	3.5/1.5
67515/67523	CS101/CS101T		1000	120	8.3	3415	3.5/1.5
67516/67524	CS151/CS151T		1500	120	12.5	5120	3.5/1.5
67563/67573	CS058/CS058T	Heater assembly without/with thermostat 208 volt	563	208	2.7	1925	3.5/1.5
67564/67589	CS078/CS078T		750	208	3.6	2560	3.5/1.5
67557/67586	CS108/CS108T		1000	208	4.8	3415	3.5/1.5
67569/67598	CS118/CS118T	"	1125	208	5.4	3840	3.5/1.5
67571/67599	CS158/CS158T		1500	208	7.2	5120	3.5/1.5
67517/67525	CS208/CS208T		2000	208	9.6	6825	3.5/1.5
67584/67585	CS052/CS052T	Heater assembly without/with thermostat 240/208 volt	500/375	240/208	2.1/1.8	1710/1280	3.5/1.5
67510/67518	CS072/CS072T		750/563	240/208	3.1/2.7	2560/1925	3.5/1.5
67511/67519	CS102/CS102T		1000/750	240/208	4.2/3.6	3415/2560	3.5/1.5
67512/67520	CS122/CS122T	"	1250/937	240/208	5.2/4.5	4265/3200	3.5/1.5
67513/67521	CS152/CS152T		1500/1125	240/208	6.3/5.4	5120/3840	3.5/1.5
67514/67522	CS202/CS202T		2000/1500	240/208	8.3/7.2	6825/5120	3.5/1.5

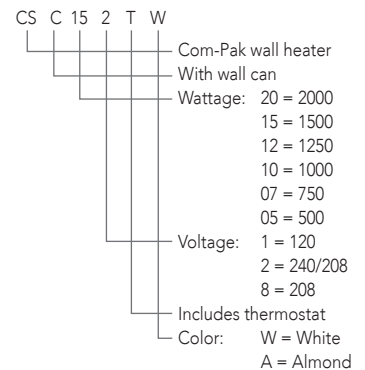


ROUGH-IN: 8" W (20.3 CM) X 10-1/8" H (25.7 CM) X 4" D (10.2 CM)

WALL HEATER ACCESSORIES (MODEL CS)

PART	MODEL*	DESCRIPTION	VOLTS	AMPS	LBS/KGS	
					SINGLE	MULTI
67061/67060	CC/CC10	Wall can for model CS, CM, CE, CB or HW, single or 10-pack, galvanized			2.8/1.3	22.5/10.2
69111	CCSMW	Surface mount wall can for model CS, CM, CE or HW, single pack 9-13/16" W x 12-3/4" H x 4-7/16" D, white, almond or black			4.4/2.0	
69112	CCSMA					
69110	CCSMB					
67079/67081	CGW/CGW10	Vertical grille kit for model CS or CM, single or 10-pack, white, almond or black			1.5/0.7	12.3/5.6
67075/67080	CGA/CGA10					
67082/67083	CGB/CGB10					
65005/65006	CMGW/CMGW5	Horizontal grille kit for model CS or CM, without stat, single or 5-pack, white or almond			2.0/0.9	7.5/3.4
65015/65016	CMGA/CMGA5					
67063	CTT1W	Built-in thermostat kit for model CS, CM or CST, single or double pole, 40°F to 85°F (4°C to 29°C), white	240/208/120	22	0.3/0.1	
67064	CTT2W					
67065	CTT1A	Built-in thermostat kit for model CS, CM or CST, single or double pole, 40°F to 85°F (4°C to 29°C), almond	240/208/120	22	0.3/0.1	
67066	CTT2A					
67067	CTT1P	Built-in tamperproof thermostat kit for model CS, CM or CST, (no knob) single or double pole, 40°F to 85°F (4°C to 29°C)	240/208/120	22	0.3/0.1	
67068	CTT2P					
67105/67100	CAMW/CAMA	Adapter plate for model CS, CM, CE or CB, 18-1/2" W x 22" H, white or almond			3.4/1.5	
67115/67110	SAMW/SAMA	Adapter plate for model CS, CM, CE or CB, 12" W x 21-1/4" H, white or almond			2.8/1.3	

Model No. Code



*Suffix W, A or B in model designates color

Note: 5-pack models must be ordered in multiples of 5; 10-pack models in multiples of 10

If horizontal mounting is preferred for heater assemblies without thermostat, use grille kit model CMGA or CMGW.