

### Com-Pak

#### Com-pak Series

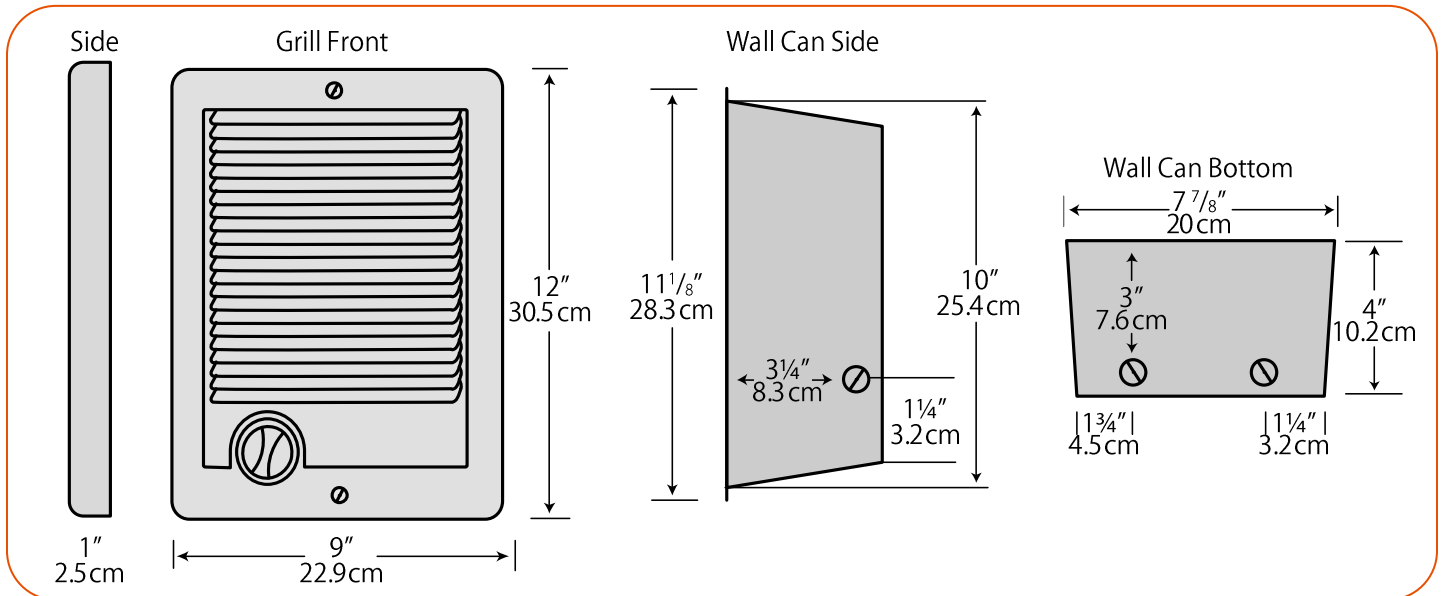


#### Features

<b>Color</b>	- White, Almond
<b>Finish</b>	- Powder coat paint finish
<b>Voltage</b>	- 120,208,240/208
<b>Construction</b>	- 20 gauge die formed, powder coated wall can - One-piece metal grille, 20-gauge steel
<b>Heating Element</b>	- Nichrome type wire wrapped on mica insulators - 16 amp rated, at 240V, high temperature manual power reset limit switch - One-time over temperature thermal back-up fuse
<b>Heat Output</b>	- Two-stage centrifugal blower delivers approx.. 40 to 55 CFM, driven by an impedance protected motor
<b>Control</b>	- Available with or without built-in thermostat
<b>Installation</b>	- Wall-mounting can complete with 6 knockouts and 34 cubic inch wiring compartment - Suitable for 2" x 3" and 2" x 4" applications
<b>Warranty</b>	- Two-year warranty on complete unit
<b>Applications</b>	- Hallways, kitchens, basements, and workshops

### Com-Pak

#### Com-pak Series



### Com-Pak

#### Com-pak Series

Model #	Watts	Volts	Amps	BTUs	Weight (lbs / kg)	Qty
CSC101TA	1000	120	8.3	3415	7/3.17	
CSC102TW-C	1000/750	240/208	4.2/3.6	3415/2560	7/3.17	
CSC102TA	1000/750	240/208	4.2/3.6	3415/2560	7/3.17	
CSC152TW-C	1500/1125	240/208	6.3/.4	5120/3840	7/3.17	
CSC202TW-C	2000/1500	240/208	8.3/7.2	6825/5120	7/3.17	
CSC101W	1000	120	8.3	3415	7/3.17	
CSC101A	1000	120	8.3	3415	7/3.17	
CSC151W	1500	120	12.5	5120	7/3.17	
CSC151A	1500	120	12.5	5120	7/3.17	
CSC072W-C	750/563	240/208	3.1/2.7	2560/1925	7/3.17	
CSC102W-C	1000/750	240/208	4.2/3.6	3415/2560	7/3.17	
CSC102A	1000/750	240/208	4.2/3.6	3415/2560	7/3.17	
CSC152W-C	1500/1125	240/208	6.3/5.4	5120/3840	7/3.17	
CSC152A	1500/1125	240/208	6.3/5.4	5120/3840	7/3.17	
CSC202W-C	2000/1500	240/208	8.3/7.2	6825/5120	7/3.17	
CS051	500	120	4.2	1710	3.5	
CS051T	500	120	4.2	1710	4	
CS101	1000	120	8.3	3415	3.5	
CS101T	1000	120	8.3	3415	4	
CS151	1500	120	12.5	5120	3.5	
CS151T	1500	120	12.5	5120	4	
CS058	563	208	2.7	1925	3.5	
CS058T	563	208	2.7	1925	4	
CS078	750	208	3.6	2560	3.5	
CS078T	750	208	3.6	2560	4	
CS108	1000	208	4.8	3415	3.5	
CS108T	1000	208	4.8	3415	4	
CS118	1125	208	5.4	3840	3.5	
CS118T	1125	208	5.4	3840	4	
CS158	1500	208	7.2	5120	3.5	
CS158T	1500	208	7.2	5120	4	
CS208	2000	208	9.6	6825	3.5	
CS208T	2000	208	9.6	6825	4	
CS052	500/375	240/208	2.1/1.8	1710/1280	3.5	
CS052T	500/375	240/208	2.1/1.8	1710/1280	4	
CS072	750/563	240/208	3.1/2.7	2560/1925	3.5	
CS072T	750/563	240/208	3.1/2.7	2560/1925	4	
CS102	1000/750	240/208	4.2/3.6	3415/2560	3.5	
CS102T	1000/750	240/208	4.2/3.6	3415/2560	4	
CS122	1250/937	240/208	5.2/4.5	4265/3200	3.5	
CS122T	1250/937	240/208	5.2/4.5	4265/3200	4	
CS152	1500/1125	240/208	6.3/5.4	5120/3840	3.5	
CS152T	1500/1125	240/208	6.3/5.4	5120/3840	4	
CS202	2000/1500	240/208	8.3/7.2	6825/5120	3.5	
CS202T	2000/1500	240/208	8.3/7.2	6825/5120	4	

### Com-Pak

#### Com-pak Series

#### Accessories

Model #	Description	Qty
CC	Wall can for model CS, single	
CC10	Wall can for model CS, 10-pack	
CGW	Vertical grill kit for model CS, single, white	
CGW10	Vertical grill kit for model CS, 10-pack, white	
CGA	Vertical grill kit for model CS, single, almond	
CGA10	Vertical grill kit for model CS, 10-pack, almond	
CMGA	Horizontal grill kit for model CS, single, almond	
CMGA5	Horizontal grill kit for model CS, 5-pack, almond	
CMGW	Horizontal grill kit for model CS, single, white	
CMGW5	Horizontal grill kit for model CS, 5-pack, white	
CTT1W-C	Built-in thermostat kit for model CS, single-pole, 40°F to 85°F(4°C to 29°C) white – 240/208/120V	
CTT2W-C	Built-in thermostat kit for model CS, double-pole, 40°F to 85°F(4°C to 29°C) white – 240/208/120V	
CTT1A	Built-in thermostat kit for model CS, single-pole, 40°F to 85°F(4°C to 29°C) almond – 240/208/120V	
CTT2A	Built-in thermostat kit for model CS, double-pole, 40°F to 85°F(4°C to 29°C) almond – 240/208/120V	
C1TKW-C	Trim kit for model CS, 1" (2.5cm), white	
C4TKW-C	Surface trim kit for model CS, 4" (10.2cm), white	
C1TKA	Trim kit for model CS, 1" (2.5cm), almond	
C4TKA	Surface trim kit for model CS, 4" (10.2cm), almond	

#### Specifications may change without prior notice

Project:	Approval Information
Consultant Engineer:	
Electrician Contractor:	
Distributor:	
Date:	
Contact at Glen Dimplex Americas	
Comments:	