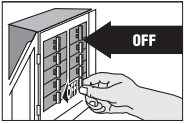


TOOL REQUIRED:	• Phillips Screwdriver
INCLUDED IN THIS BOX:	• Hexagonal or Louvered Outlet Grill
• Decorative Cover	• (2) 1/2" #8 Retention Screws
• (1) 3/8" #6 Black Outlet Grill Screw	

Information is also available on our website:
<http://www.cadetheat.com/products/wall-heaters/apex72>

Important Information



⚠ WARNING! Before removing or installing outlet grill, turn the electrical power off at the main disconnect panel (circuit breaker or fuse box). Lock or tag the main disconnect panel door to prevent someone from accidentally turning the power on while you are working on the heater. Failure to do so could result in serious electrical shock, burns, or possible death.

The Apex72 decorative cover includes four neodymium magnets. Neodymium magnets have extremely strong magnetic fields. Should magnets detach from the plastic cover, handling them with care is necessary to prevent personal injuries.

Installation

STEP 1 Install Metal Outlet Grill

Install outlet grill onto heater assembly. Slide the two tabs on the left side of the outlet grill into the two slots on the left side of the heater assembly (Figure 1). Then insert the small tabs at the top and bottom of the outlet grill into place (Figure 2). Attach with 3/8" #6 black outlet grill screw provided.

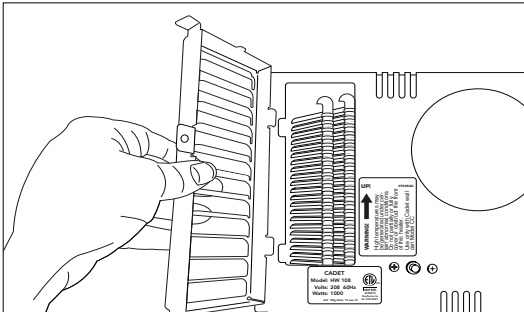


Figure 1 Outlet grill attaches to heater assembly

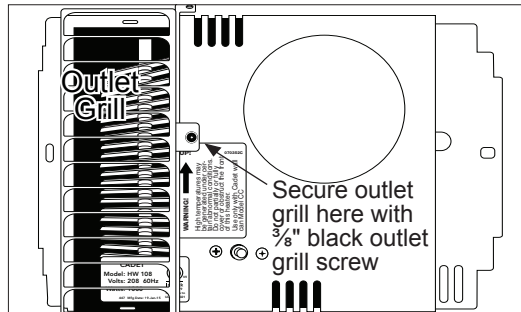


Figure 2 Louvered outlet grill installed

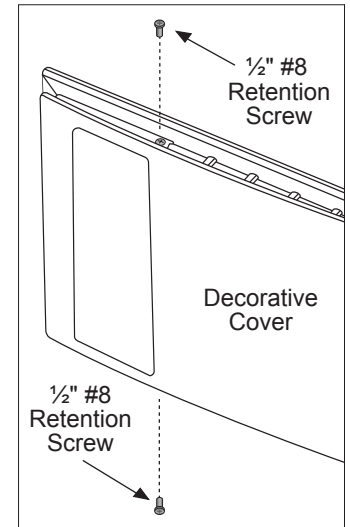


Figure 3

STEP 2 Install Decorative Cover

The decorative cover is held in place with permanent magnets. If desired, the cover can be further secured with the two 1/2" #8 retention screws provided (Figure 3). Attach retention screws at top and bottom of decorative cover only after the outlet grill has been installed on the heater assembly and attached with the screw provided (Figure 2).

Turn power on at the main disconnect panel.

Please see your specific product Owner's Guide for additional installation, operation and maintenance instructions for both decorative cover and heater. (Owner's Guides may be downloaded at cadetheat.com).

Warranty

For more effective and safer operation and to prolong the life of the heater, read the Owner's Guide and follow the maintenance instructions. Failure to properly maintain the heater will void any warranty and may cause the heater to function improperly. Warranties are non transferable and apply to original consumer only. Warranty terms are set out below.

LIMITED FIVE-YEAR WARRANTY: Cadet will repair or replace any Apex72 (ACL or ACH) decorative cover found to be defective within five years after the date of purchase.

These warranties do not apply:

1. Damage occurs to the product through improper installation or incorrect supply voltage;
2. Damage occurs to the product through improper maintenance, misuse, abuse, accident, or alteration;
3. The product is serviced by anyone other than Cadet;
4. If the date of manufacture of the product cannot be determined;
5. If the product is damaged during shipping through no fault of Cadet.
6. The use of unauthorized accessories or unauthorized components constitutes an alteration and voids all warranties. Refer to Cadet website or call customer service at 855.CADET.US for list of authorized accessories and components.
7. CADET'S WARRANTY IS LIMITED TO REPAIR OR REPLACEMENT AS SET OUT HEREIN. CADET SHALL NOT BE LIABLE FOR DAMAGES SUCH AS PROPERTY DAMAGE OR FOR CONSEQUENTIAL DAMAGES AND/OR INCIDENTAL EXPENSES RESULTING FROM BREACH OF THESE WRITTEN WARRANTIES OR ANY EXPRESS OR IMPLIED WARRANTY.

8. IN THE EVENT CADET ELECTS TO REPLACE ANY PART OF YOUR CADET PRODUCT, THE REPLACEMENT PARTS ARE SUBJECT TO THE SAME WARRANTIES AS THE PRODUCT. THE INSTALLATION OF REPLACEMENT PARTS DOES NOT MODIFY OR EXTEND THE UNDERLYING WARRANTIES. REPLACEMENT OR REPAIR OF ANY CADET PRODUCT OR PART DOES NOT CREATE ANY NEW WARRANTIES.

9. These warranties give you specific legal rights, and you may also have other rights which vary from state to state. Cadet neither assumes, nor authorizes anyone to assume for it, any other obligation or liability in connection with its products other than as set out herein.

If you believe your Cadet product is defective, please contact Cadet Manufacturing Co. at 855.CADET.US, during the warranty period, for instructions on how to have the repair or replacement processed. Warranty claims made after the warranty period has expired will be denied. Products returned without authorization will be refused.

Parts and Service

Visit cadetheat.com/parts-service for information on where to obtain parts and service.



Reduce-Reuse-Recycle

This product is made primarily of recyclable materials. You can reduce your carbon footprint by recycling this product at the end of its useful life. Contact your local recycling support center for further recycling instructions.

SAVE THESE INSTRUCTIONS

cadetheat.com Tel: 855.CADET.US PO Box 1675 Vancouver, WA 98668-1675

©2015 Cadet Printed in USA Rev 06/15 #720123