

RM Fan-Forced Electric Wall Heater

Register™/MC



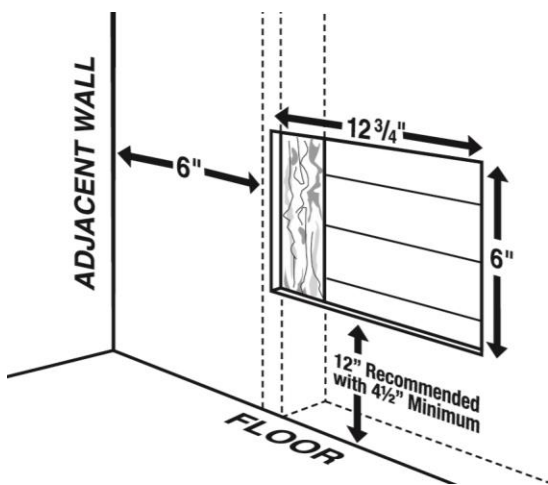
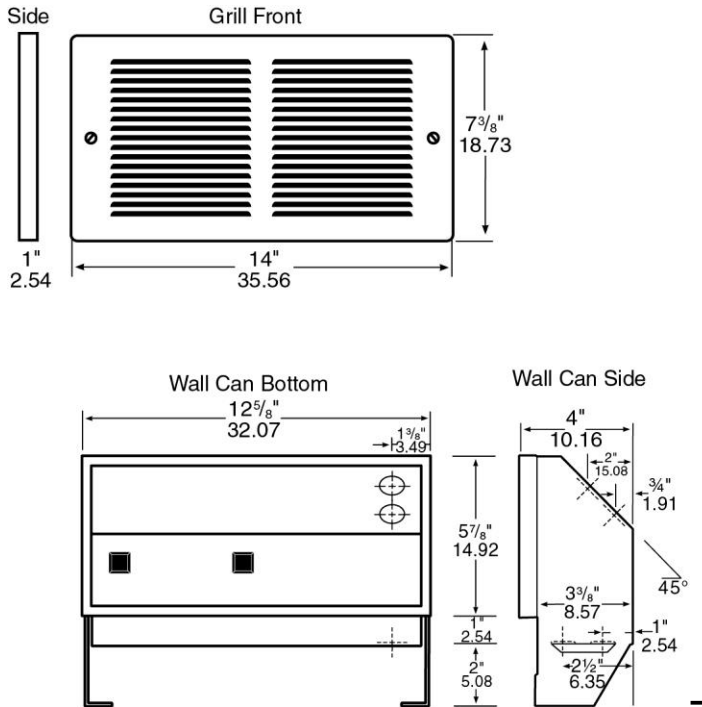
Features

- | | |
|-----------------------------|--|
| Color | - Almond / White |
| Material | - Powder coated 20-gauge wall mounting can with four knockouts |
| Finish | - Element and blower are of unitized construction |
| Voltage | - Metal grille is of one piece construction |
| Wattage | - Powder coated |
| Heating Element | - 120V, 208V, 240/208V |
| Heating Finish | - 500W - 2250W |
| Control & Wiring | - Element construction - coiled nichrome heating wire |
| Warranty | - Sealed in a steel sheath with steel fins |
| Accessories | - High temperature paint prevents rust and corrosion |
| Applications | - Thermostat is required |
| | - 5-year |
| | - Thermostat, Grille kit (1 or 5 grills) |
| | - Indoor wall of any room |

RM Fan-Forced Electric Wall Heater

Register^{TM/MC}

Product Dimensions



RM Fan-Forced Electric Wall Heater

Register™/MC

Part No.	Cat. No.	Description	Colour	Watts	Volts (Hz)	Dimensions (W x H x D)	Qty
63315	RMC151W	Complete unit with wall can and grill	White	500/1000/1500	120	14" x 9-1/4" x 4-1/2" 35.6cm x 23.5cm x 11.4cm	
63316	RMC208W	Complete unit with wall can and grill	White	2000	208	14" x 9-1/4" x 4-1/2" 35.6cm x 23.5cm x 11.4cm	
63314	RMC162W	Complete unit with wall can and grill	White	700/900/1600 525/675/1200	240/ 208	14" x 9-1/4" x 4-1/2" 35.6cm x 23.5cm x 11.4cm	
63313	RMC202W	Complete unit with wall can and grill	White	2000/1500	240/208	14" x 9-1/4" x 4-1/2" 35.6cm x 23.5cm x 11.4cm	
00308	RM151	Heater assembly without thermostat		500/1000/1500	120	11-1/4" x 6-3/4" x 3-1/2" 28.6cm x 17.2cm x 8.9cm	
00310	RM108	Heater assembly without thermostat		1000	208	11-1/4" x 6-3/4" x 3-1/2" 28.6cm x 17.2cm x 8.9cm	
00323	RM158	Heater assembly without thermostat		1500	208	11-1/4" x 6-3/4" x 3-1/2" 28.6cm x 17.2cm x 8.9cm	
00313	RM168	Heater assembly without thermostat		700/900/1600	208	11-1/4" x 6-3/4" x 3-1/2" 28.6cm x 17.2cm x 8.9cm	
00309	RM208	Heater assembly without thermostat		2000	208	11-1/4" x 6-3/4" x 3-1/2" 28.6cm x 17.2cm x 8.9cm	
00311	RM102	Heater assembly without thermostat		1000/750	240/208	11-1/4" x 6-3/4" x 3-1/2" 28.6cm x 17.2cm x 8.9cm	
00307	RM162	Heater assembly without thermostat		700/900/1600 525/675/1200	240/ 208	11-1/4" x 6-3/4" x 3-1/2" 28.6cm x 17.2cm x 8.9cm	
00306	RM202	Heater assembly without thermostat		2000/1500	240/208	11-1/4" x 6-3/4" x 3-1/2" 28.6cm x 17.2cm x 8.9cm	
00322	RM222	Heater assembly without thermostat		2250/1687	240/208	11-1/4" x 6-3/4" x 3-1/2" 28.6cm x 17.2cm x 8.9cm	

Accessories

Part No.	Cat. No.	Description	Colour	Watts	Volts (Hz)	Dimensions (W x H x D)	Qty
00275	RMGW	Grill kit for model RM, single pack	White			14" x 7-3/8" x 1"	
00276	RMGA		Almond			35.6cm x 18.7cm x 2.5cm	
63113	RMGW5	Grill kit for model RM, 5-pack	White			14" x 7-3/8" x 1"	
63114	RMGA5		Almond			35.6cm x 18.7cm x 2.5cm	
63115	RMC	Wall can for model RM, single pack or 5-pack				12-5/8" x 8-7/8" x 4"	
63116	RMC5					32.1cm x 22.5cm x 10.2cm	
63123	RMT2W	Built-in thermostat kit for model RM, double pole, 40°F to 85°F	White		240/208/120	5-3/4" x 1-1/2" x 2-3/4"	
63124	RMT2A		Almond			14.6cm x 3.8cm x 7.0cm	

Specifications may change without prior notice.

RM Fan-Forced Electric Wall Heater

Register^{TM/MC}

Project Details

Project:	Approval Information
Consultant Engineer:	
Electrician Contractor:	
Distributor:	
Date :	
Contact at Dimplex:	
Comments:	